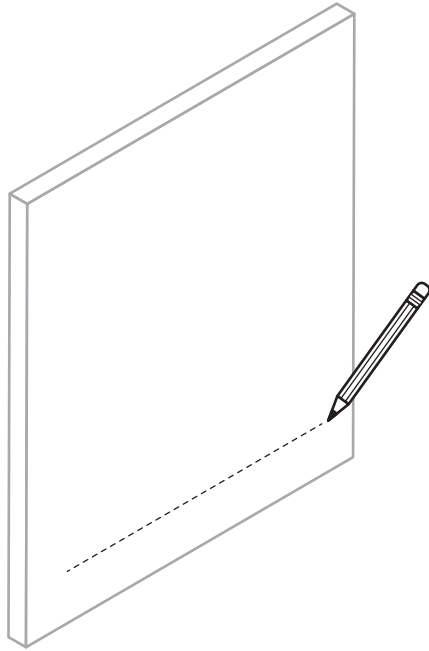
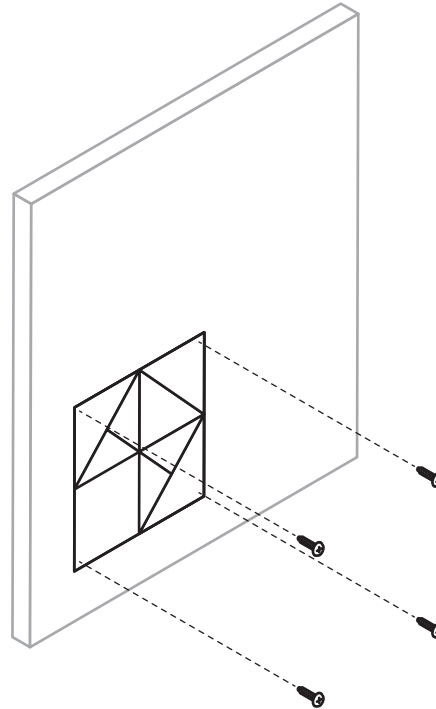


# Directly On Wall Installation Method\*



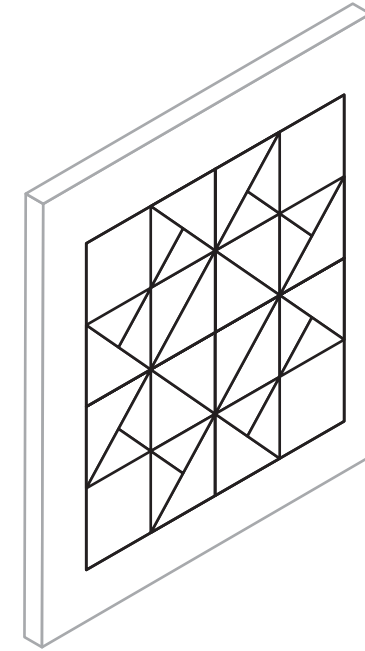
- 1** Mark a level horizontal line as a guide for the bottom edge of the quilt.



- 2** Attach one of the bottom quilt panels to the wall using appropriate fasteners for the wall surface material.

The corners of each panel have been pre-drilled for your convenience.

**CAUTION:** Overtightening screws can damage the UV protecting film.



- 3** Repeat step 2 for the remaining three panels.

\*Customer is responsible for selecting the appropriate installation method and assumes all responsibility for the safety of the installers.

**CORNSTALK**<sup>™</sup>  
Ag Promotional Products  
LLC

[www.cornstalkllc.com](http://www.cornstalkllc.com)