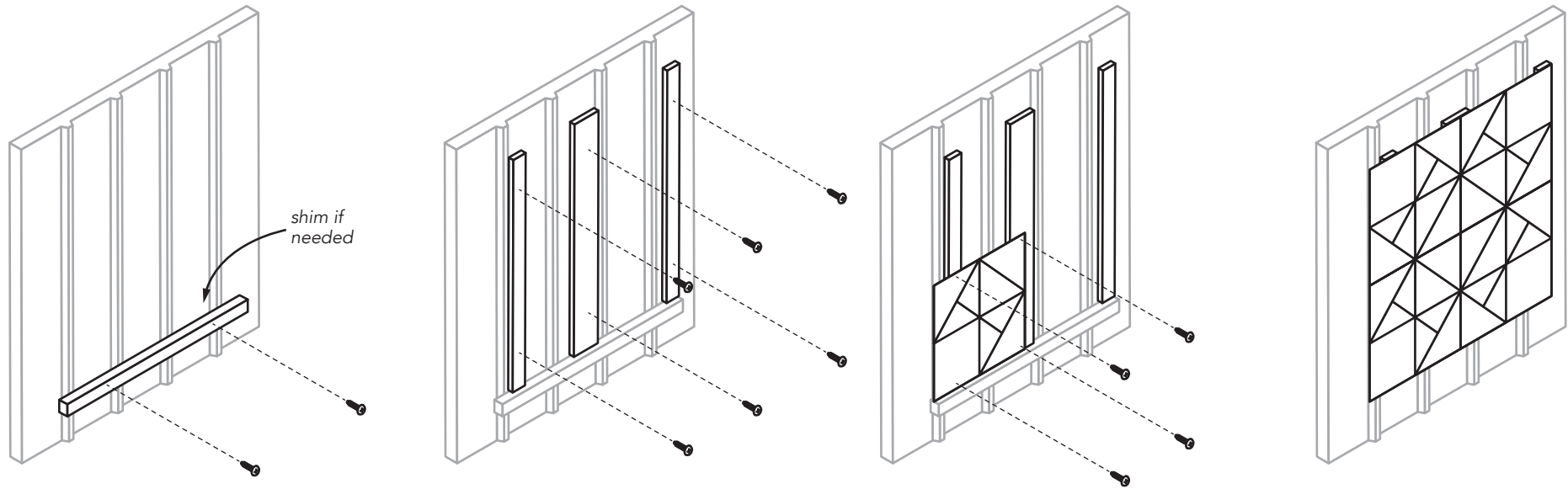


Furring Strip Installation Method*



- 1** Level and attach a ledger board to your wall using appropriate fasteners for the surface material.

If the surface is not flat (steel or lap siding) use shims as needed.

- 2** Attach vertical furring strips every 12" to line up with pre-drilled holes in the quilt panels.

Center furring strip may need to be wider than edge strips in order to support the seam between panels.

- 3** Rest one bottom panel on the ledger board and attach to furring strips using four screws per panel.

The corners of each panel have been pre-drilled for your convenience.

CAUTION: Overtightening screws can damage the UV protecting film.

- 4** Repeat step 3 for the remaining three panels. Remove ledger board.