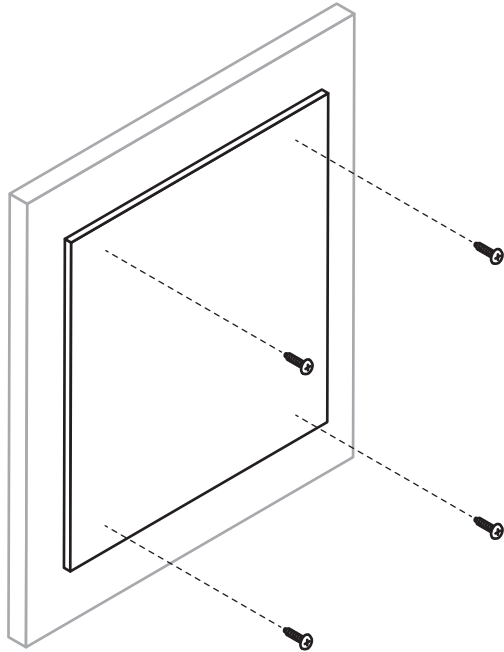
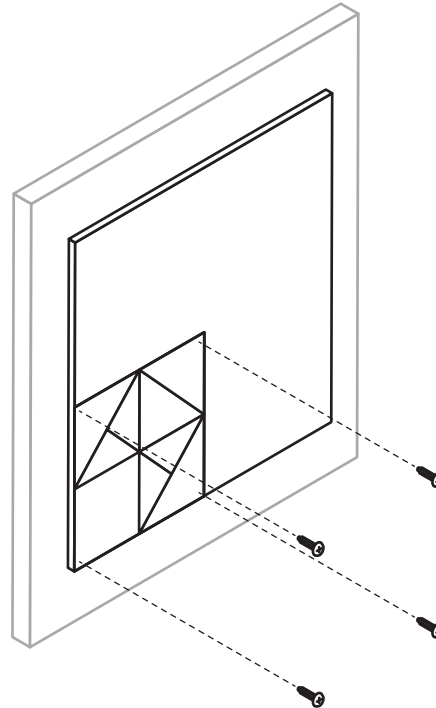


Plywood Backer Installation Method*



- 1** Level and mount a sheet of exterior rated plywood (cut to the size of your quilt) to your wall using appropriate fasteners for the wall surface material.

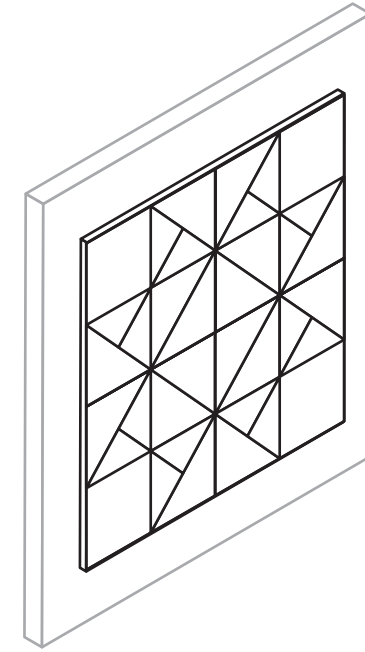
Make sure to countersink the screw or nail heads.



- 2** Attach one of the bottom quilt panels to the plywood using four screws per panel.

The corners of each panel have been pre-drilled for your convenience.

CAUTION: Overtightening screws can damage the UV protecting film.



- 3** Repeat step 2 for the remaining three panels.