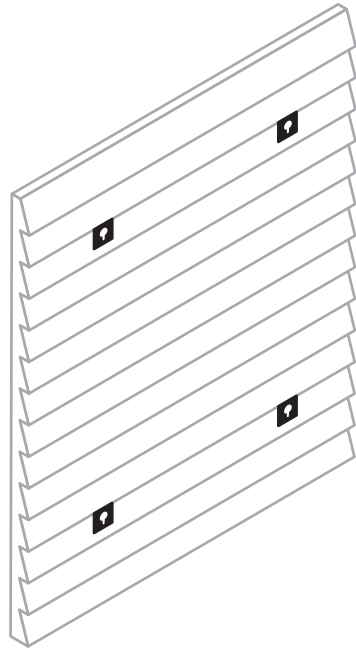


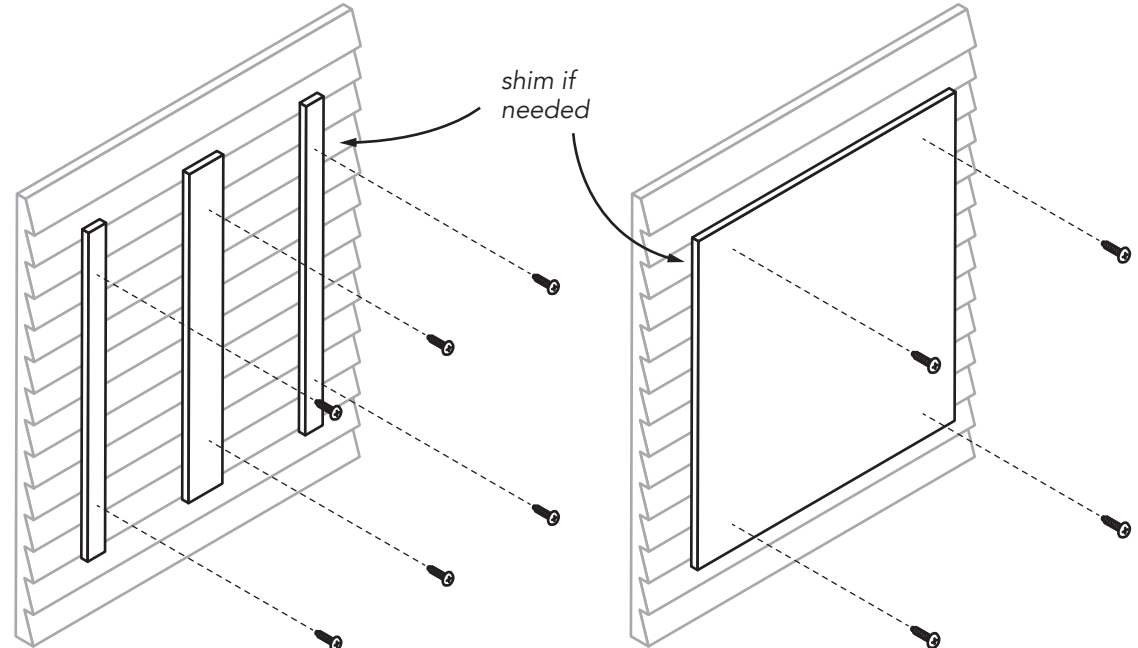
Vinyl Siding Installation Method*



Option 1

Use "no-drill vinyl siding hooks".

These are available from major online retailers and home improvement stores.



Option 2

See Furring Strip Installation instructions.

Option 3

See Plywood backer installation instructions.

*Customer is responsible for selecting the appropriate installation method and assumes all responsibility for the safety of the installers.

CORNSTALK[™]
Ag Promotional Products
LLC

www.cornstalkllc.com